

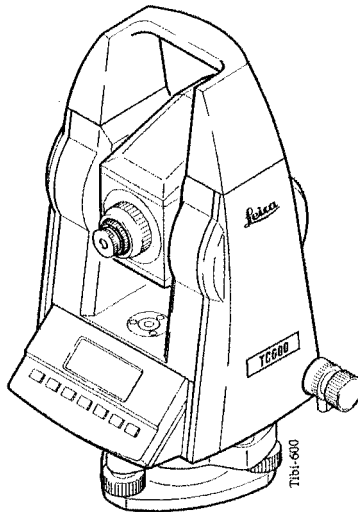
TC600/TC800

Electronic total station

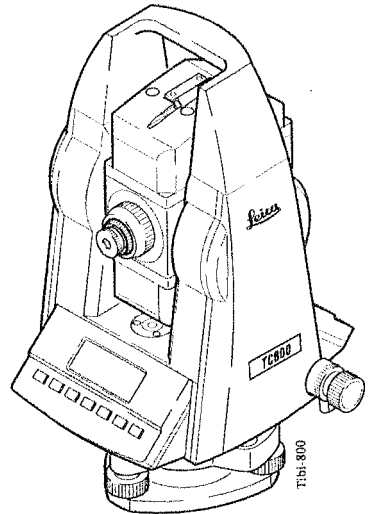
Version 2.1

English

TC600



TC800



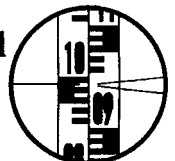
SURVEYORS-EXPRESS™



Milanweg 53 • 61118 Bad Vilbel

Tel. 06101 / 54 13 54 • Fax 55

www.vermessen.de



Thank you for purchasing this Leica Total Station.



This manual contains important safety directions (*refer to section "Safety directions"*) as well as instructions for setting up the instrument and operating it. Please read carefully through the User Manual to achieve maximum satisfaction.

TC600/TC800

Electronic total station

Product identification

The instrument model and the serial number of your product are indicated on the label in the battery compartment.

Write the model and serial number of your instrument in the space provided below, and always quote this information when you need to contact your agency or service workshop.

Type: _____ Serial no.: _____

Symbols used in this Manual

The symbols used in this User Manual have the following meanings:



DANGER:

Indicates an imminently hazardous situation which, if not avoided, will result in death or serious injury.



WARNING:

Indicates a potentially hazardous situation or an unintended use which, if not avoided, could result in death or serious injury.



CAUTION:

Indicates a potentially hazardous situation or an unintended use which, if not avoided, may result in minor or moderate injury and / or appreciable material, financial and environmental damage.



Important paragraphs which must be adhered to in practice as they enable the product to be used in a technically correct and efficient manner.

Contents

Introduction	8
Area of applicability of this User's Manual	8
Important parts	9
Set-up, getting started	11
Unpacking	11
Charging battery	13
Set-up	14
Tribrach with optical plummet	14
Tribrach without optical plummet	15
Level instrument with the electronic level	16
Operating concept	17
Settings, first steps	17
Units in this manual	17
Display and keyboard	18
Menu tree (Main menu)	20
Menu tree (Configuration)	21
Main menu	22
Measure and record	23
Display symbols	23
Pointing and distance measurement	24
Example: for offset or hidden points	25
Display of recorded data	26
Measure and record with coding	27
Coding	28
Input a new code line to the code list	28
Simple code input during measurements	30
Using predefined codes from the codelist	31
Additional entries to selected code	32
User Programs	34
Introduction	34
Set Job	35
Set station coordinates (Station Coord)	36
Manual point entry (Keyb)	37
Read the station coordinates from internal memory (IntMem)	38
Orientation (of horizontal circle)	39
Free Station	41

Setting out (Setout)	46
Tie Distance (Missing line)	48
Area computation (Calc Area)	51
Rapid measurement and recording (Rapid Meas)	54
Settings (SET)	57
Entering point number and reflector height (SET Ptnr/hr)	57
Alphanumeric entry of point number	58
Entering reflector height	58
Setting the horizontal circle (Hz)	59
1st variant	59
2nd variant	60
Setting the display mask (DSP)	61
Display-masks	61
Data management (DATA MANAGER)	62
Coordinate entry (COORDS)	63
Input of coordinates and codes (INPUT)	63
Code input (CODES)	64
Searching for point numbers and multiple recordings (FIND)	65
Searching for several data blocks with the same point number	66
Display of stored data (VIEW)	67
Delete measurements, coordinates and codes (DELETE PNT)	68
Delete the complete range of measurements, coordinates and codes (DELETE ALL)	69
EDM mode	70
EDM Configuration (EDM CONF)	70
EGL (Guide Light)	71
INTENS	72
RETTAP	73
Testing the instrument	75
Battery and instrument temperature	75
EDM Signal	76
Configuration	77
Distance corrections	77
Meteorological correction (ppm)	77
Prism constant (MM)	78
Determine instrument errors	79
Vertical index error (V-Index "i")	79
Line-of-sight error (Hz-Collimation "c")	81

Contrast	82
Data and recording parameter (REC DATA)	83
Selecting units (UNITS)	86
Units for distance measurement (DIST)	86
Units for angle measurement (ANGLE)	86
V-Angle	87
Display number of decimal places (ROUND)	87
Automatic switch-off (ON/OFF)	88
TCTOOLS	91
Other data formats	97
Communication PC-TC600/TC800	98
Set station coordinates	98
Set orientation	98
Setting-out	99
Checking and adjusting	100
Tripod	100
Circular level	100
Circular level on the tribrach	101
Optical plummet	102
Care and transport	104
Battery charging	106
Battery chargers GKL22 and GKL23	106
Battery chargers GKL12 and GKL14	107
Safety directions	108
Intended use of instrument	108
Limits of use	109
Responsibilities	110
Hazards of use	111
Laser classification	116
Integrated distancer (EDM)	116
Guide Light EGL1	118
Electromagnetic acceptability	120
FCC statement (applicable in U.S.)	121
Product labeling	122
Error reports and warnings	123
Technical data	125
Index	131

Introduction

The TC600/TC800 is particularly suitable for cadastral and engineering surveying. The accuracy of angle-measuring, and the range of its EDM module, are matched to one another. The measured data can be stored in the internal memory or can be output individually via serial interface to an external recorder.

Area of applicability of this User's Manual

This manual applies to the following types of total stations:

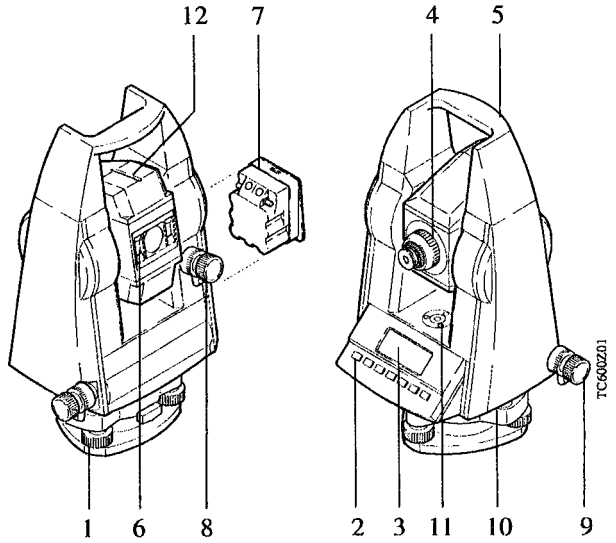
- TC600
- TC800

Differences between the two versions are clearly set out and assigned.

General text applies to both versions.

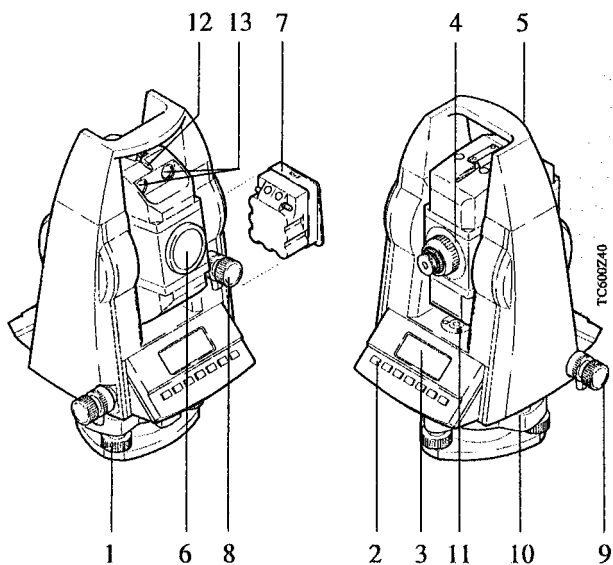
Important parts

TC600



- | | |
|-------------------|--------------------------|
| 1 Foot screw | 7 Battery |
| 2 Keyboard | 8 Vertical drive screw |
| 3 Display | 9 Horizontal drive screw |
| 4 Focusing | 10 Interface RS-232 |
| 5 Carrying handle | 11 Circular level |
| 6 Exit EDM | 12 Optical sight |

TC800



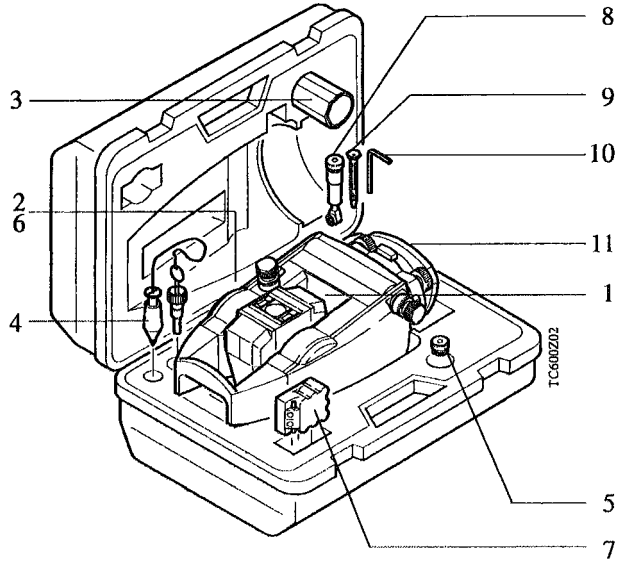
- | | | | |
|---|-----------------|----|------------------------|
| 1 | Foot screw | 8 | Vertical drive screw |
| 2 | Keyboard | 9 | Horizontal drive screw |
| 3 | Display | 10 | Interface RS-232 |
| 4 | Focusing | 11 | Circular level |
| 5 | Carrying handle | 12 | Optical sight |
| 6 | Exit EDM | 13 | Exit EGL1 (optional) |
| 7 | Battery | | |

Set-up, getting started

Unpacking

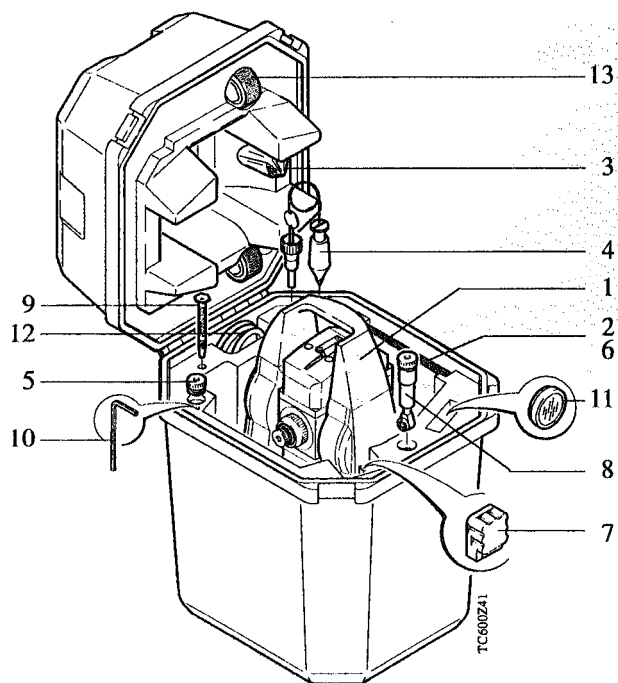
Remove TC600/TC800 from transport case and check for completeness:

TC600



- | | |
|-------------------------|--|
| 1 Instrument | 7 Spare battery (optional) |
| 2 User's Manual | 8 Eyepiece for steep angles (optional) |
| 3 Protective cover | 9 Screwdriver, set of pins |
| 4 Plummet (optional) | 10 Allen key |
| 5 Eyepiece (optional) | 11 Tribrach (optional) |
| 6 Diskette with TCTOOLS | |

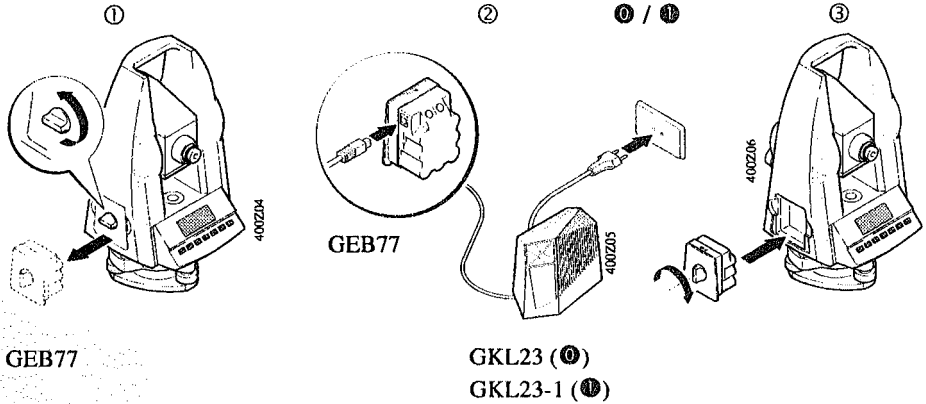
TC800



- | | |
|----------------------------|--|
| 1 Instrument | 8 Eyepiece for steep angles (optional) |
| 2 User's Manual | 9 Screwdriver, set of pins |
| 3 Protective cover | 10 Allen key |
| 4 Plummet (optional) | 11 Lens (optional) |
| 5 Eyepiece (optional) | 12 Cable (optional) |
| 6 Diskette with TCTOOLS | 13 Shoulder straps |
| 7 Spare battery (optional) | |

Charging battery

Charge batteries using GKL12, GKL14, GKL22 or GKL23. For more information about charging batteries refer to chapter "Battery charging".



- ⓪ Version for 230V mains
- Ⓛ Version for 115V mains

Charging time:

Internal battery:	GEB77	1.0 hours
External batteries:	GEB70	1.5 hours
	GEB71	5.0 hours

(Refer also to chapter "Technical Data")



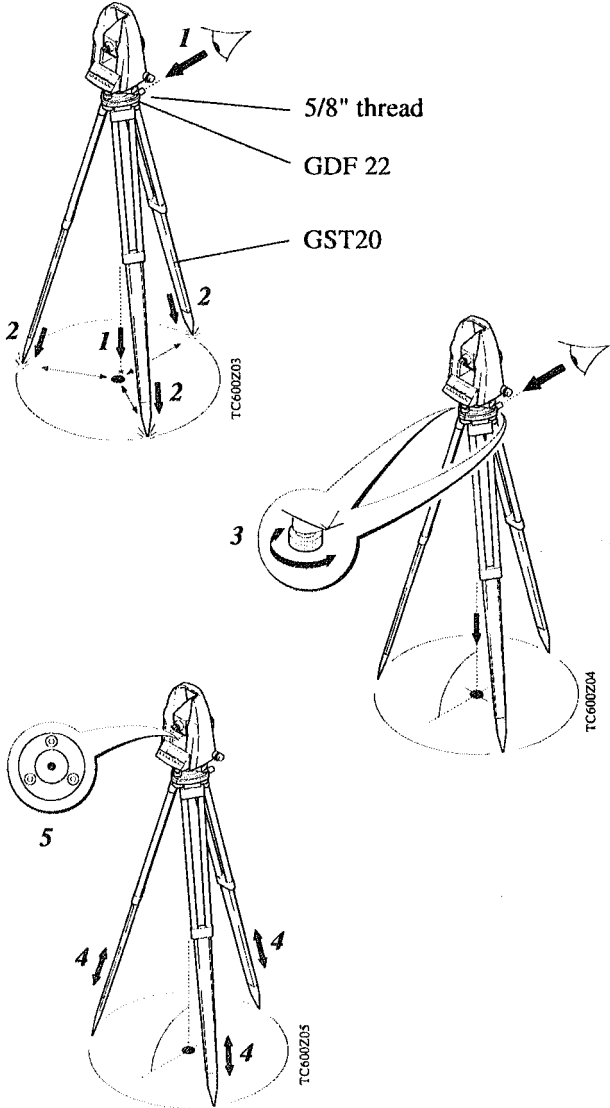
WARNING:

The battery chargers are intended for indoor use. Only use a battery charger in a dry place, never outdoors.

Set-up

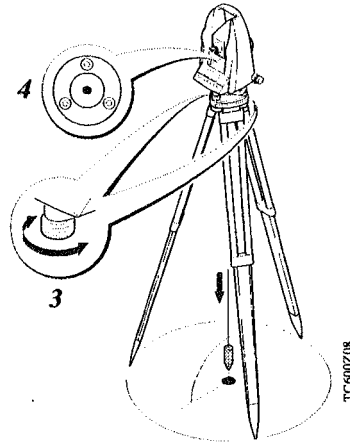
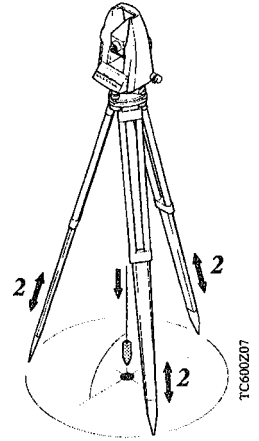
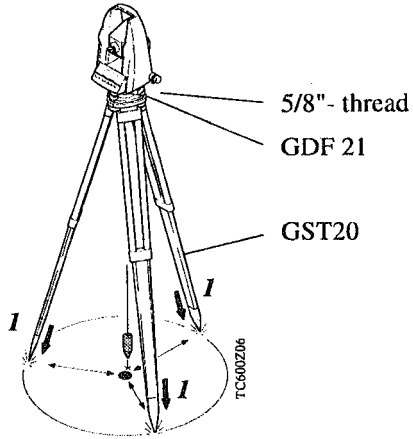
Tribrach with optical plummet

Set-up TC600/TC800
with tribrach GDF 22 and
tripod GST20

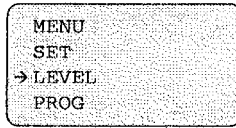
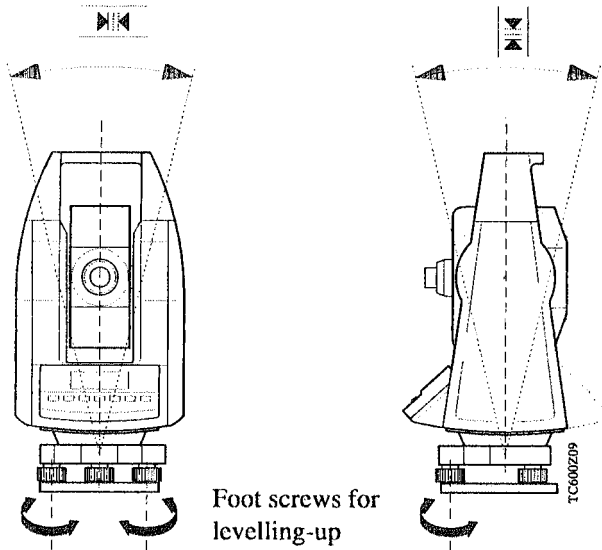


Tribrach without optical plummet

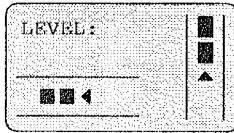
Set-up TC600/TC800
with tribrach GDF 21 and
tripod GST20



**Level instrument with
the electronic level**



Insufficient levelling-up



Perfect levelling-up



The TC600/TC800 unit is correctly levelled-up when the triangles are visible only or markers are displayed between the triangles.